

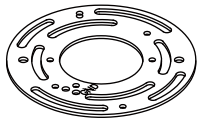
# ASSEMBLY AND INSTALLATION INSTRUCTIONS

W0335

**WARNING:** TO AVOID RISK OF ELECTRICAL SHOCK, BE SURE TO SHUT OFF POWER BEFORE INSTALLING OR SERVICING THIS FIXTURE.

**NOTE:** 1. Before installing, consult local electrical codes for wiring and grounding requirements.  
2. READ AND SAVE THESE INSTRUCTIONS.

## Hardware Package (included):



Mounting plate (A)



Mounting Screw (B)



Wire Connector (C)



Fixture Mounting screw (D)



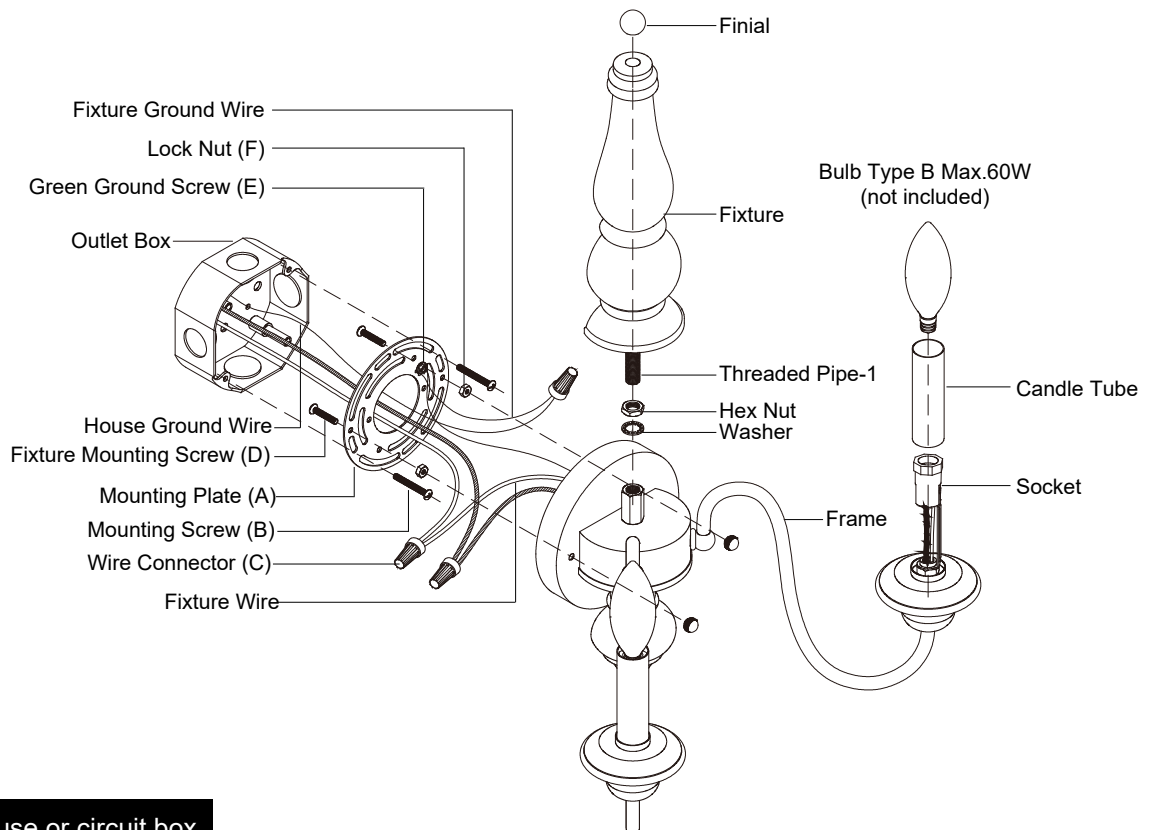
Green Ground Screw (E)



Lock Nut (F)



Ball Nut (G)



## Installation Steps

Turn off the power at fuse or circuit box

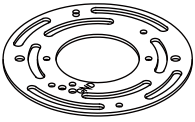
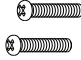

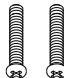



1. Screw the finial on the fixture, then threaded Pipe and hex nut with the washer on the frame.
2. Thread two fixture mounting screws (D) through the mounting plate (A), and then secure them with two lock nuts (F) (two on each side of the mounting plate (A).) Adjust the length of the fixture mounting screws (D) if necessary.  
**Note: Make sure the headless screws are lined up horizontally to make the fixture level.**
3. Attach the mounting plate (A) to the outlet box by using two mounting screws (B).

4. Pull out the source wires from the outlet box. Make wire connections using wire connectors (C) as follows:
  - Connect the hot wire (black insulation) from the fixture to the black wire from the power source.
  - Connect the neutral wire (white insulation) from the fixture to the white wire from the power source.
  - Attach the fixture ground wire (green insulation or bare wire) to the mounting plate (A) with the green ground screw (E), and then connect it to the house ground wire with the wire connector (C).
 Carefully put the wires back into the outlet box.
5. Attach the fixture to the mounting plate (A) by inserting fixture mounting screws (D) into holes on back plate, and then secure it with two ball nuts (G).
6. Attach the candle tubes onto the sockets.
7. Install two bulbs (not included). See relamping label at socket area or packaging for maximum allowed wattage.

Turn on the power at fuse or circuit box

The following parts are available for re-order if damaged or missing.

**Spare Parts List:**

 Mounting plate (A)	 Mounting Screw (B)	 Wire Connector (C)	 Fixture Mounting screw (D)	→ Mounting Hardware 6094MM (1SET)
 Green Ground Screw (E)	 Lock Nut (F)	 Ball Nut (G)		

